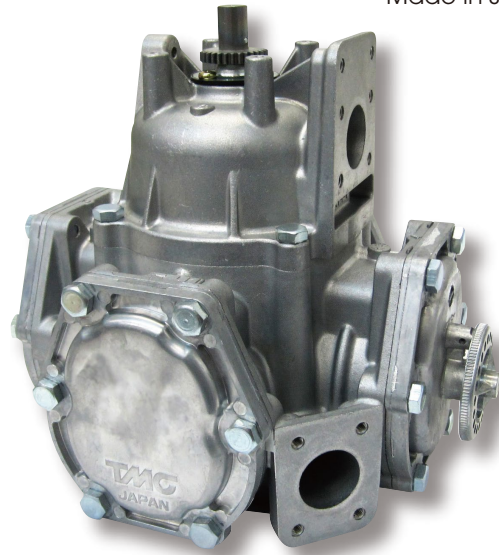


Features

The Tominaga Flowmeter FM1 is designed and made 100% in Japan with high accuracy. Also it provides consistent performance and reliability under a wide range of environments. It is used widely outside Japan.

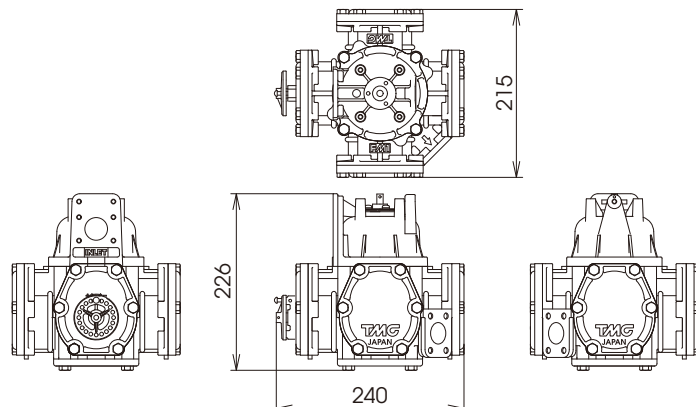


Specifications

EQUIPMENT	FLOWMETER
MODEL	FM1

Type	4 - Piston Positive Displacement Flowmeter	
Fluid Condition	Fluid to be used	Gasoline : JIS K 2202 or equivalent
		Kerosene : JIS K 2203 or equivalent
		Diesel Fuel : JIS K 2204 or equivalent
		Fuel Oil : JIS K 2205 Class 1 Types 1 & 2 or equivalent
	Max. Working Pressure	: 0.3 MPa
	Viscosity	: 8 Mpa - sec or below
Environmental Condition	Ambient Temp.	: -30 to +50 °C
	Humidity	: 5 to 95%
Discharge Volume	0.5 liters per rev.	Adjustable Range : 0.4952 - 0.5006 L / rev.
Flow Rate	5 - 90 liters per minutes	
Accuracy	within $\pm 0.2\%$	
Pressure Drop	0.03 Mpa (at 40 L/min)	
Operating Condition	Intermittent	
Connection	Inlet : 29 mm Square Flange	Outlet : 29 mm Square Flange
Materials	Casing : ADC12 JIS H 5302 (Aluminum Alloy Die Casting)	
Miscellaneous	Direction of Rotation : Clockwise (looking from top)	
Weight	6.6 kg	

Dimensions



Manufacturer

TOMINAGA MFG. CO.

88 Nishinokyo-Minamiryomachi, Nakagyo-ku, Kyoto 604-8493 Japan
Phone +81-75-801-8143 Fax +81-75-801-0717
E-mail info@kyoto-tmc.co.jp URL <http://www.kyoto-tmc.co.jp>

Sole Distributor

SANKO PROGRESS MABIS CORPORATION.

20-7, Samon-cho, Shinjuku-ku, Tokyo, 160-0017 Japan
Phone +81-3-3226-3521 Fax +81-3-3353-3157
E-mail bz@sanko-mabis.com URL <http://www.sanko-mabis.com>

