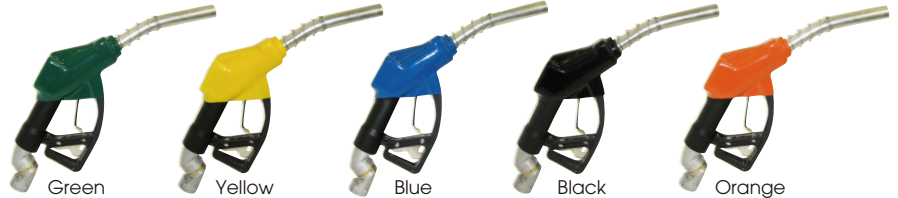


Red



Green

Yellow

Blue

Black

Orange

## Features

The Tominaga automatic nozzles are lighter in weight with long lasting durability. They will shut off safely regardless of any flow rate and are well suited for not only self service but also full service operations. They have unique posture detection capability which will not allow nozzle open while the spout is tipped up.

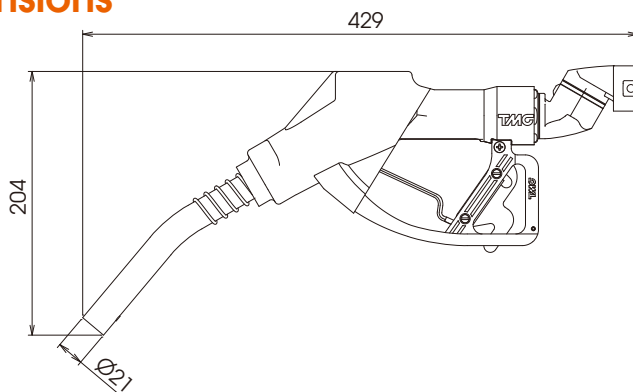
## Specifications

EQUIPMENT	AUTOMATIC SHUT OFF NOZZLE	
MODEL	TNAS-52*C	
Model	TNAS-520C	TNAS-525C
Fluid to be used	Gasoline : JIS K2202 or equivalent Kerosene : JIS K 2203 or equivalent	- -
	Diesel Fuel : JIS K 2204 or equivalent	
Dispensing Rate (Note1)	Max. 50 liters per minute	Max. 80 liters per minute
Pressure	Max. 0.2 Mpa	Max. 0.24 Mpa
Temperature	-30~+50 °C	
Joint Type	Coupling	
Connection	PF 3/4 ( female type ) (Note2)	
Net Weight	1.23 kg	1.24 kg

Note1 Discharge Rate varies according to pump performance and/or piping condition.

Note2 JIS B0202 Parallel Pipe Threads, equivalent to ; ISO R228 Pipe thread

## Dimensions



### Manufacturer

#### TOMINAGA MFG. CO.

88 Nishinokyo-Minamiryomachi, Nakagyo-ku, Kyoto 604-8493 Japan  
Phone +81-75-801-8143 Fax +81-75-801-0717  
E-mail info@kyoto-tmc.co.jp URL <http://www.kyoto-tmc.co.jp>

### Sole Distributor

#### SANKO PROGRESS MABIS CORPORATION.

20-7, Samon-cho, Shinjuku-ku, Tokyo, 160-0017 Japan  
Phone +81-3-3226-3521 Fax +81-3-3353-3157  
E-mail bz@sanko-mabis.com URL <http://www.sanko-mabis.com>

