

HAXA2222/HIXA2222

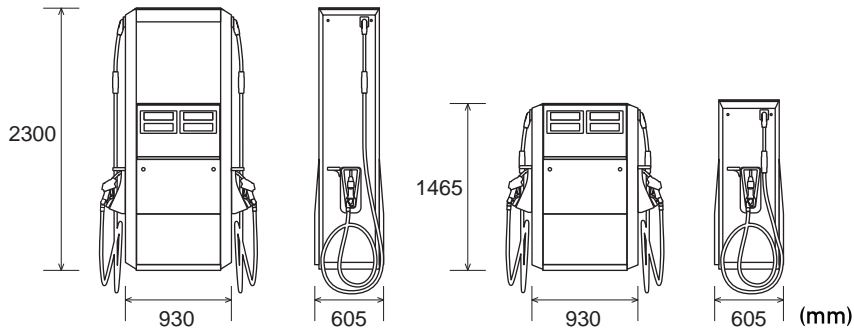
2nozzles • 4displays



HAXC2222/HIXC2222

2nozzles • 4displays

Dimensions



System Chart and Weight

C:Counter M:Meter P:Pump N:Nozzle

| | |
|-------------------------------------|--|
| | HAXC2222/HIXC2222 (HAXA2222/HIXA2222) |
| Suction Pump Type | 260kg(250kg) |
| Submersible Turbine Pump (STP) Type | 240kg(230kg) |

Specifications

| | Suction Pump Type | Submersible Turbine Pump (STP) Type |
|---------------------------|---|-------------------------------------|
| Flow Rate | Normal:40L/min High:80L/min (40L/minute for concurrent refueling) | Depends on the on-site STP capacity |
| Pump | Internal silent gear pump with air separator Suction strainer,Flexible pipe By-pass valve and Suction check valve | |
| Flexible Pipe | Flange type,1-1/2" threaded | |
| Manual Drive Handle | Provided for manual operation during power failure | |
| Motor | Three-phase 380V 750W (Optional) Single-phase 220-240V 750W | |
| Meter | 4-piston positive displacement flowmeter with electronic adjuster | |
| Accuracy | ± 0.2% | |
| Indicator | LCD (Liquid Crystal Display) | |
| Character Color | Black characters on a white field with bright LED back light display | |
| Display | Amount - 7 digits H:50mm,Unit price - 5 digits H:23mm,Volume - 7 digits H:50mm | |
| Unit Price Setting | by infrared remote control unit or by keypad or by POS setting | |
| Electronic Totalizer | Fueling volume 10 digits,minimum:0.001L or 0.01L/money amount 10 digits | |
| Power Outage Indication | In case of power failure at control sector,refueling operation will automatically stop and indicator will continue display of amount already fueled for approximately 15 minutes. | |
| Electromagnetic Totalizer | (Optional) Fueling volume 7 digits,minimum 1 L | |
| Reset Device | Automatic reset | |
| Nozzle | Automatic nozzle,Spout outside diameter 21mm,25mm | |
| Joint | Double Swivel Type (Optional) Rotary Type | |
| Hose | Black color hose,Oil resistance type,Inside diameter 16 mm | |
| Length | 5m (Including the length of Nozzle and Safety breakaway coupling) | |
| Safety Breakaway Coupling | Provided | |
| Wiring | Cabtyre cable | |
| Emergency Stop Switch | Provided | |
| POS Interface | RS-485 | |
| Line Fuel Filter | (Optional) 30μ paper filter | |
| Anti Static Touch Pad | (Optional) | |
| Sight Glass | (Optional) | |
| Receipt Printer | (Optional) Thermal type | |
| Advertisement Display | (Optional) 10.4"LCD type | |

Distributor

SANKO PROGRESS MABIS CORPORATION

TOKYO : Nippon-Building 3F, 2-6-2 Otemachi, Chiyoda-ku, Tokyo 100-0004 Japan
Phone 81-3-6386-3504 Fax 81-3-6386-3522
E-mail bz@sanko-mabis.com URL http://www.sanko-mabis.com

Manufacturer

TOMINAGA MFG. CO.

88 Nishinokyo-Minamiryomachi, Nakagyo-ku, Kyoto 604-8493 Japan
Phone +81-75-801-8143 Fax +81-75-801-1373
E-mail info@kyoto-tmc.co.jp URL http://www.kyoto-tmc.co.jp

